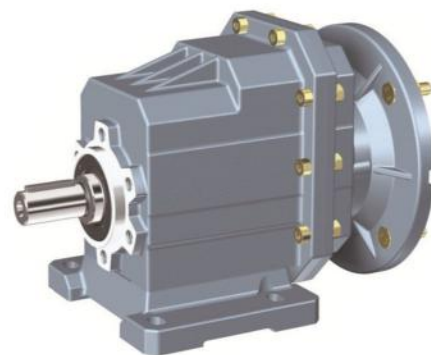


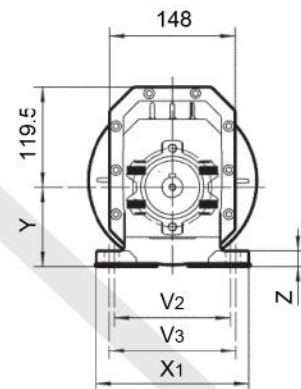
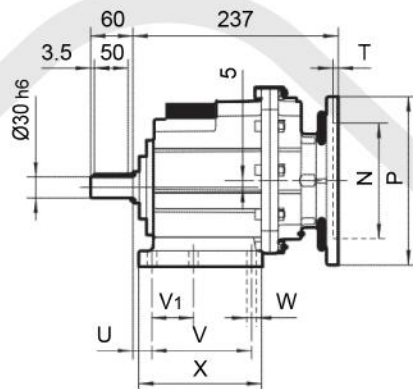
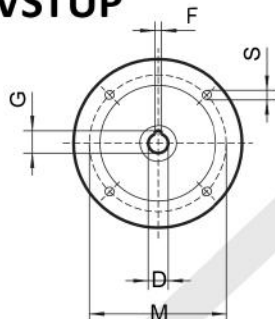
# HG ČELNÁ PREVODOVKA HG 03

Rozmerové výkresy



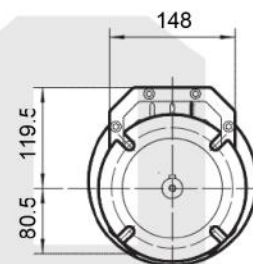
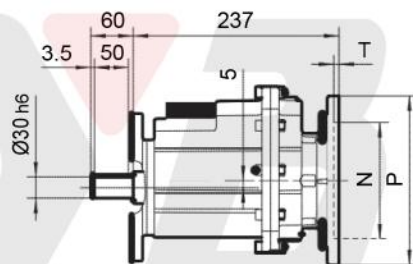
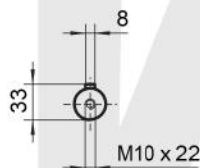
## HG03..P(IEC)

VSTUP



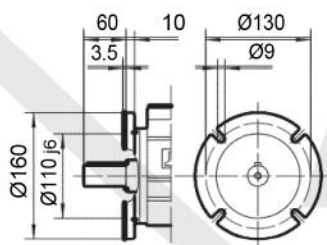
## HGF03..P(IEC)

VÝSTUP



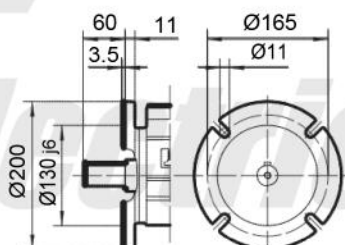
I

Ø160



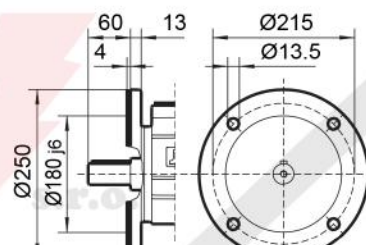
II

Ø200

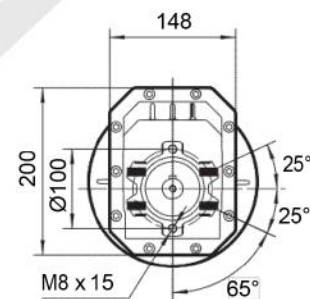
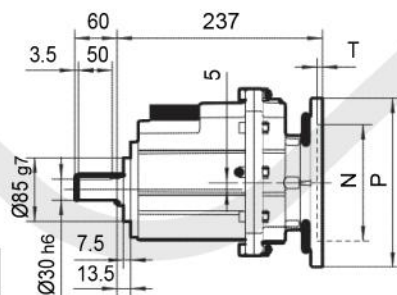


III

Ø250



## HGZ03..P(IEC)

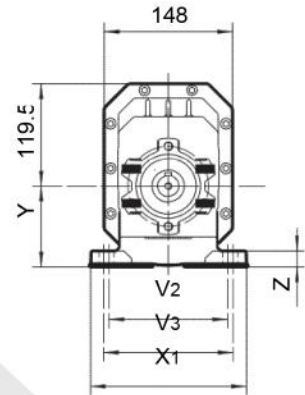
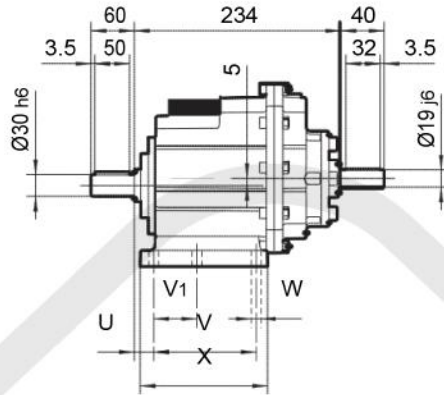
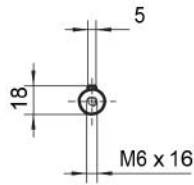


IEC	D	F	G	P	M	N	S	T
71B5	14	5	16.3	160	130	110	9	5
80B5	19	6	21.8	200	165	130	11	5
80B14	19	6	21.8	120	100	80	7	5
90B5	24	8	27.3	200	165	130	11	5
90B14	24	8	27.3	140	115	95	9	5
100/112B5	28	8	31.3	250	215	180	13.5	5
100/112B14	28	8	31.3	160	130	110	9	5

Kód pátky	U	V	V <sub>1</sub>	V <sub>2</sub>	V <sub>3</sub>	W	X	X <sub>1</sub>	Y	Z
B03	18	130	70	—	160	11	156	190	110	20
M03	30	100	—	135	150	11	150	190	110	18
M04	32	110	—	170	185	14	150	230	110	20
B04	20.5	130	—	170	—	14	168	205	105	20

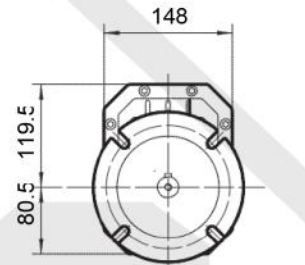
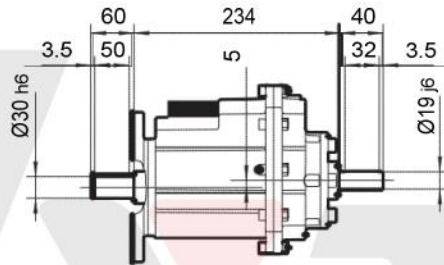
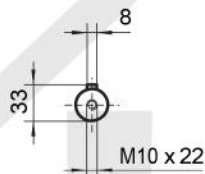
### HG03..HS

#### VSTUP



### HGF03..HS

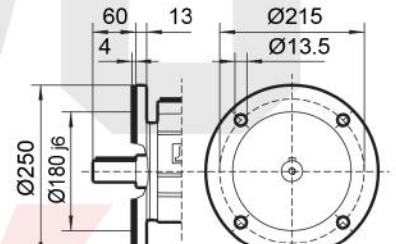
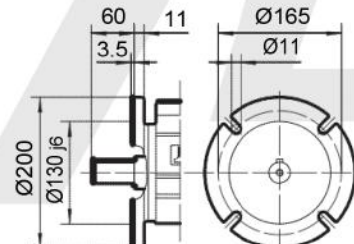
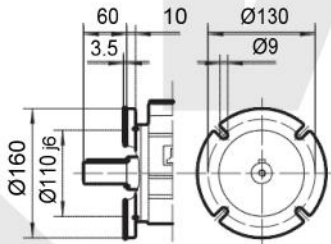
#### VÝSTUP



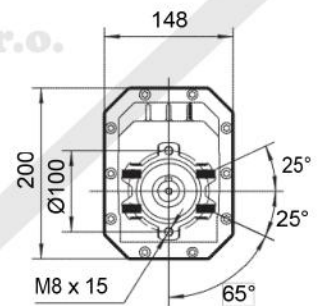
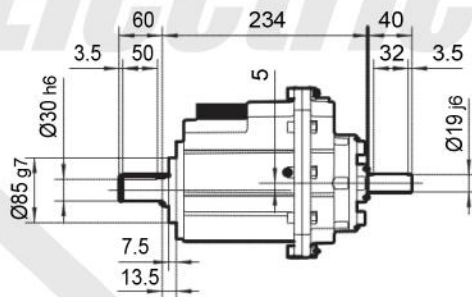
**I**  
**Ø160**

**II**  
**Ø200**

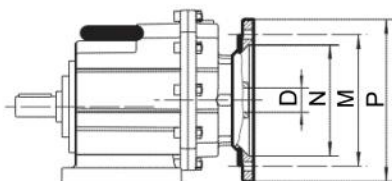
**III**  
**Ø250**



### HGZ03..HS



Kód pátky	U	V	V1	V2	V3	W	X	X1	Y	Z
B03	18	130	70	—	160	11	156	190	110	20
M03	30	100	—	135	150	11	150	190	110	18
M04	32	110	—	170	185	14	150	230	110	20
B04	20.5	130	—	170	—	14	168	205	105	20



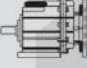
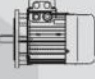
IEC	63B5	71B5	71B14	80B5	80B14	90B5	90B14	100B5	100B14	112B5	112B14
D <sub>E8</sub>	11	14		19		24		28		28	
P	140	160	105	200	140	200	140	250	160	250	160
M	115	130	85	165	115	165	115	215	130	215	130
N	95	110	70	130	95	130	95	180	110	180	110



# Prevodové pomery a vstup pre elektromotor

<b>HG..03..P(IEC)</b>					
i	71B5	80B5 80B14	90B5 90B14	100B5 100B14	112B5 112B14
51.30*					
44.18*					
38.63					
34.20*					
30.57					
24.99					
21.15*					
19.24*					
18.21*					
15.30*					
13.30*					
12.60					
10.93*					
9.08					
7.93*					
6.31					
5.48					
4.50					
3.74					

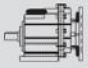
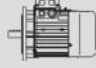
Tabuľka výberu prevodovky

$P_{1n}$ [kW]	$n_2$ [r/min]	$M_{2n}$ [Nm]	i	$f_s$			
<b>0.37</b>	17.5	193	51.30*	1.6	HG03	80B5/B14	80B5/B14
	20.4	167	44.18*	1.8	HGF03	80B5/B14	80B5/B14
	23.3	146	38.63	2.1	HGZ03	80B5/B14	80B5/B14
	26.3	129	34.20*	2.3			
	29.4	115	30.57	2.6			
	27.3	124	51.30*	2.4	HG03	71B5	71B5
	31.7	107	44.18*	2.8	HGF03	71B5	71B5
	36.2	94	38.63	3.2	HGZ03	71B5	71B5
	40.9	83	34.20*	3.6			
	<b>0.55</b>	17.5	287	51.30*	1.0	HG03	80B5/B14
20.4		248	44.18*	1.2	HGF03	80B5/B14	80B5/B14
23.3		216	38.63	1.4	HGZ03	80B5/B14	80B5/B14
26.3		192	34.20*	1.6			
29.4		171	30.57	1.8			
27.3		185	51.30*	1.6	HG03	80B5/B14	80B5/B14
31.7		159	44.18*	1.9	HGF03	80B5/B14	80B5/B14
36.2		139	38.63	2.2	HGZ03	80B5/B14	80B5/B14
40.9		123	34.20*	2.4			
45.8		110	30.57	2.7			
56.0	90	24.99	3.3				
<b>0.75</b>	17.5	392	51.30*	0.77	HG03	90B5/B14	90B5/B14
	20.4	338	44.18*	0.89	HGF03	90B5/B14	90B5/B14
	23.3	295	38.63	1.0	HGZ03	90B5/B14	90B5/B14
	26.3	261	34.20*	1.1			
	29.4	234	30.57	1.3			
	36.0	191	24.99	1.6			
	27.3	252	51.30*	1.2	HG03	80B5/B14	80B5/B14
	31.7	217	44.18*	1.4	HGF03	80B5/B14	80B5/B14
	36.2	190	38.63	1.6	HGZ03	80B5/B14	80B5/B14
	40.9	168	34.20*	1.8			
	45.8	150	30.57	2.0			
	56.0	123	24.99	2.4			
	66.2	104	21.15*	2.7			
	72.8	94	19.24*	3.0			
	76.9	89	18.21*	3.1			
91.5	75	15.30*	3.7				
105	65	13.30*	3.8				
111	62	12.60	4.0				



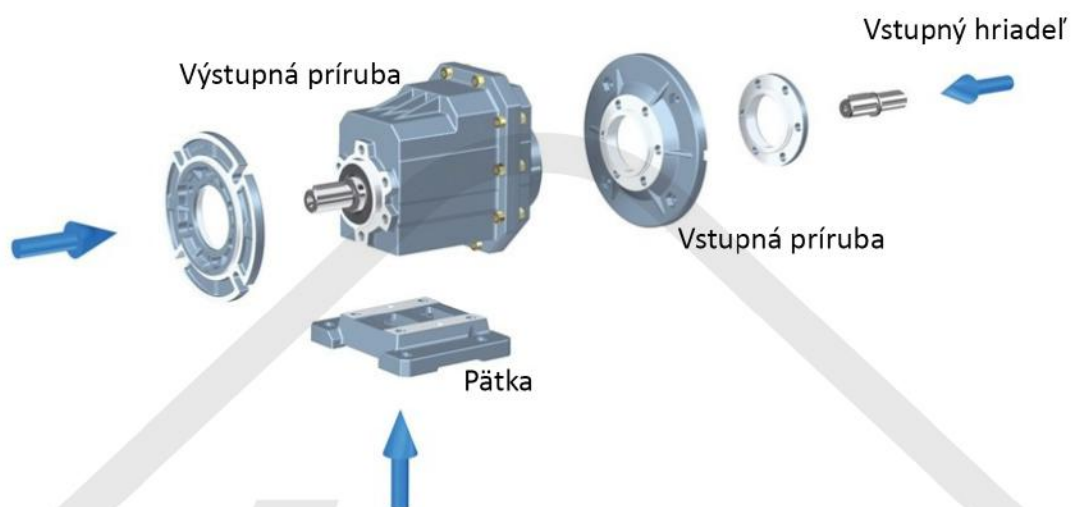


# Tabuľka výberu prevodovky

$P_{1n}$ [kW]	$n_2$ [r/min]	$M_{2n}$ [Nm]	$i$	$f_s$				
<b>1.1</b>	27.3	370	51.30*	0.81	HG03	90B5/B14	90B5/B14	
	31.7	318	44.18*	0.94	HGF03	90B5/B14	90B5/B14	
	36.2	278	38.63	1.1	HGZ03	90B5/B14	90B5/B14	
	40.9	246	34.20*	1.2				
	45.8	220	30.57	1.4				
	56.0	180	24.99	1.7				
	66.2	152	21.15*	1.8				
	72.8	139	19.24*	2.0				
	76.9	131	18.21*	2.1				
	91.5	110	15.30*	2.5				
	72.5	139	38.63	2.2	HG03	80B5/B14	80B5/B14	
	81.9	123	34.20*	2.4	HGF03	80B5/B14	80B5/B14	
	91.6	110	30.57	2.7	HGZ03	80B5/B14	80B5/B14	
	112.0	90	24.99	3.3				
	132.4	76	21.15*	3.7				
	145.5	69	19.24*	4.0				
	153.8	66	18.21*	4.3				
	<b>1.5</b>	40.9	336	34.20*	0.89	HG03	90B5/B14	90B5/B14
45.8		300	30.57	1.0	HGF03	90B5/B14	90B5/B14	
56.0		245	24.99	1.2	HGZ03	90B5/B14	90B5/B14	
66.2		208	21.15*	1.3				
72.8		189	19.24*	1.5				
76.9		179	18.21*	1.6				
91.5		150	15.30*	1.9				
105		131	13.30*	1.9				
111		124	12.60	2.0				
128		107	10.93*	1.7				
154		89	9.08	2.0				
177		78	7.93*	2.3				
222		62	6.31	2.9				
255		54	5.48	2.8				
311		44	4.50	3.4				
374		37	3.74	4.1				
256		54	10.93*	3.4	HG03	90B5/B14	90B5/B14	
308		45	9.08	4.0	HGF03	90B5/B14	90B5/B14	
353		39	7.93*	4.6	HGZ03	90B5/B14	90B5/B14	
<b>2.2</b>		66.2	305	21.15*	0.92	HG03	100B5/B14	100B5/B14
		72.8	277	19.24*	1.0	HGF03	100B5/B14	100B5/B14
	76.9	262	18.21*	1.1	HGZ03	100B5/B14	100B5/B14	
	91.5	220	15.30*	1.1				
	105	192	13.30*	1.3				
	111	182	12.60	1.4				
	128	157	10.93*	1.1				
	154	131	9.08	1.4				
	177	114	7.93*	1.6				
	222	91	6.31	2.0				
	255	79	5.48	1.9				
	311	65	4.50	2.3				
	374	54	3.74	2.8				
	308	65	9.08	2.8	HG03	90B5/B14	90B5/B14	
	353	57	7.93*	3.2	HGF03	90B5/B14	90B5/B14	
	444	45	6.31	4.0	HGZ03	90B5/B14	90B5/B14	
	511	39	5.48	3.8				
	<b>3</b>	91.5	301	15.30*	0.93	HG03	100B5/B14	100B5/B14
105		261	13.30*	1.0	HGF03	100B5/B14	100B5/B14	
111		248	12.60	1.0	HGZ03	100B5/B14	100B5/B14	
128		215	10.93*	0.8				
154		178	9.08	1.0				
177		156	7.93*	1.2				
222		124	6.31	1.5				
255		108	5.48	1.4				
311	88	4.50	1.7					
374	73	3.74	2.0					
<b>4</b>	177	208	7.93*	0.87	HG03	112B5/B14	112B5/B14	
	222	165	6.31	1.1	HGF03	112B5/B14	112B5/B14	
	255	144	5.48	1.0	HGZ03	112B5/B14	112B5/B14	
	311	118	4.50	1.3				
	374	98	3.74	1.5				



# Štruktúra prevodovky



## Modely



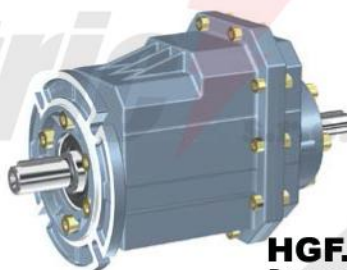
**HG..P(IEC)**  
Prevodovka  
s upevnením na pätke



**HG..HS**  
Prevodovka s upevnením na  
pätke a vstupom na hriadeľ



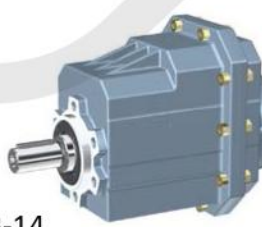
**HGF..P(IEC)**  
Prevodovka s prírubou



**HGF..HS**  
Prevodovka s prírubou a  
vstupom na hriadeľ

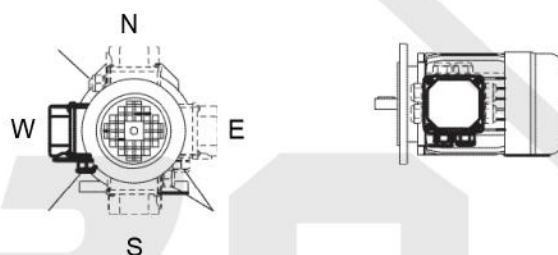
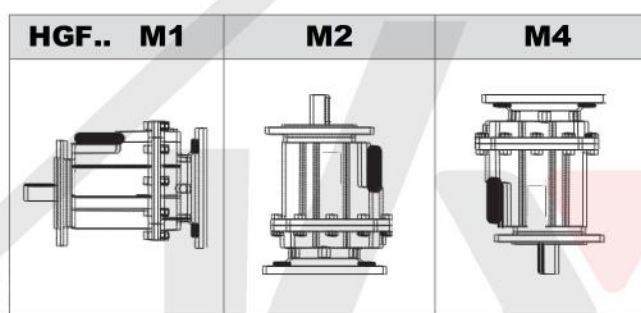
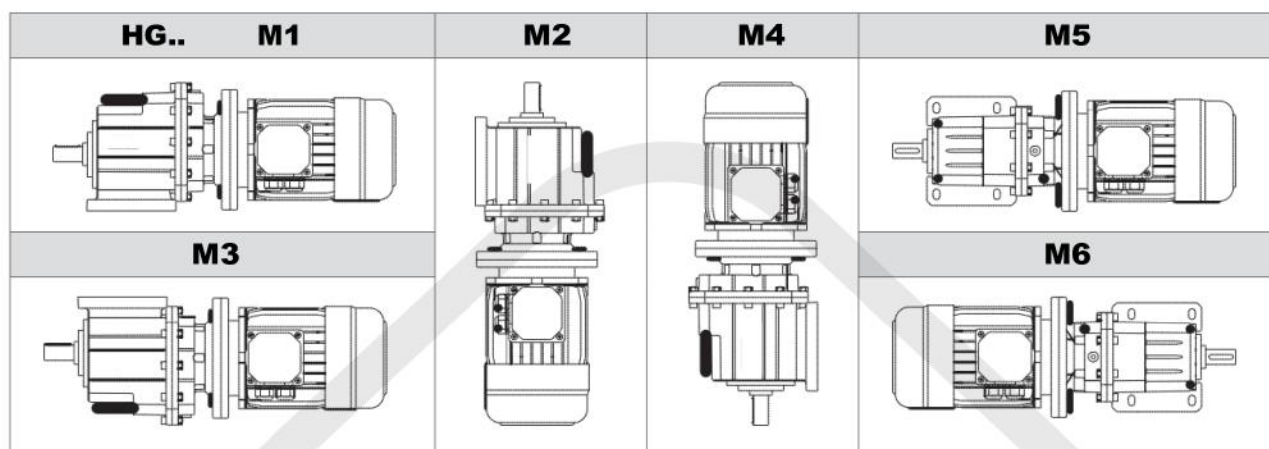


**HGZ..P(IEC)**  
Prevodovka s prírubou B-14



**HGZ..HS**  
Prevodovka s prírubou B-14  
a vstupom na hriadeľ

## Montážna poloha a orientácia svorkovnice



## Mazanie

						TYP MAZANIA
<b>HG..</b>	标准 Standard -10    +40	VG 220	Shell Omala 220	Mobilgear 630	BP GR-XP 220 BP Energol	Minerálny olej
	-20    +25	VG 150 VG 100	Shell Omala 100	Mobilgear 627	BP Energol GR-XP 100	
	-30    +10	VG 68-46 VG 32	Shell Tellus T 32	Mobil D.T.E. 13M		
	-40    -20	VG 22 VG 15	Shell Tellus T 15	Mobil D.T.E. 11M	BP Energol HLP-HM 15	
	-40    +80	VG 220	Shell Omala HD 220	Mobil SHC 630		Syntetický olej
	-40    +40	VG 150	Shell Omala HD 150	Mobil SHC 629		
	-40    +10	VG 32		Mobil SHC 624		